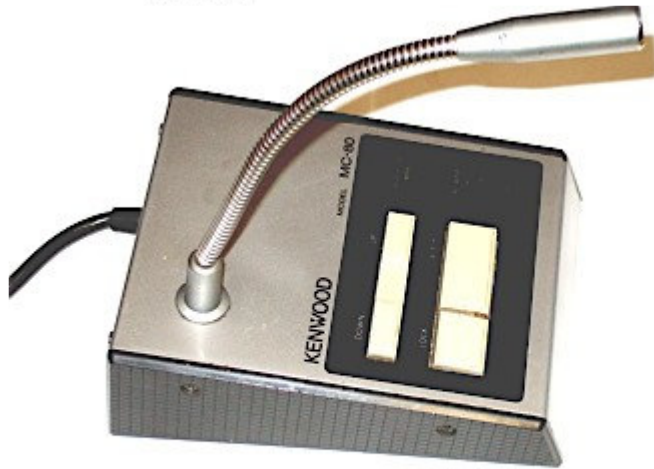
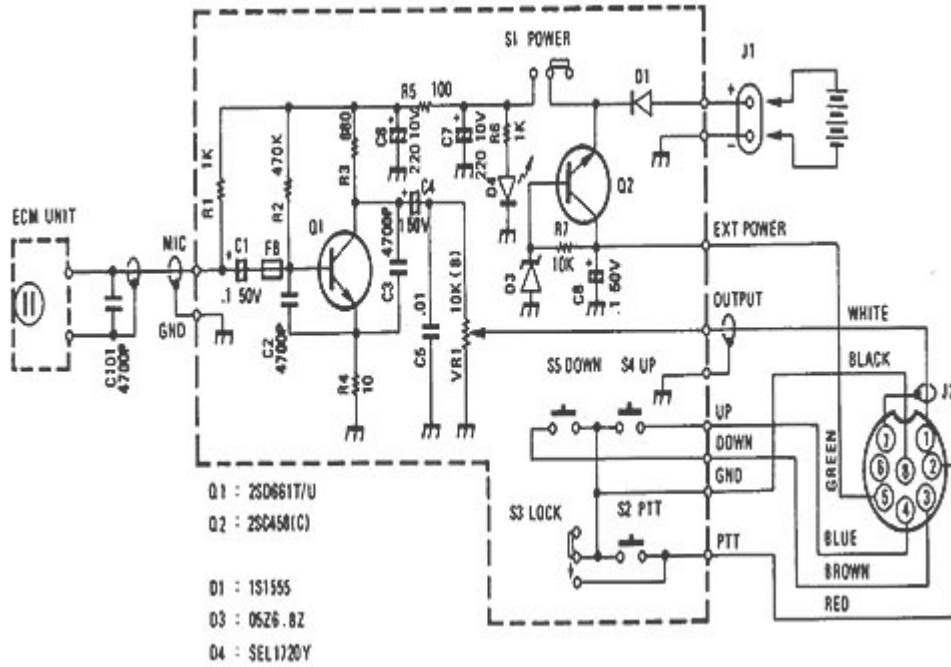


Fig2 MC-80 SCHEMATIC DIAGRAM



© g4wpw

**NOTE:**

[SEE MJ-88 CONNECTING CABLE INFO.\( REGARDING RF FEEDBACK PROBLEM\)](http://homepage.ntlworld.com/rg4wpw/mc80.html)

# MC-80 Block Diagram

